

LawMate CM-BU18 HD Neo Camera Lens

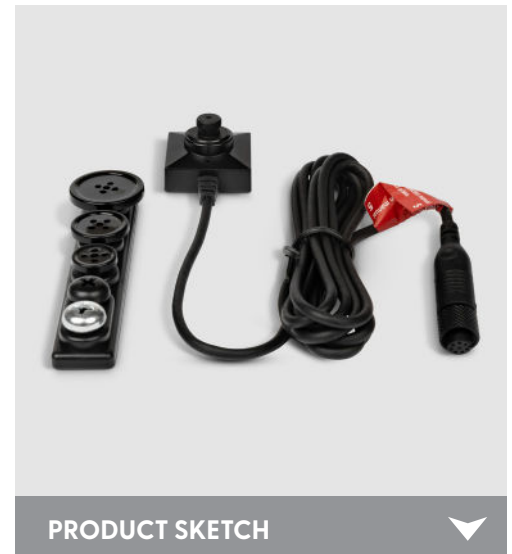
FEATURES

- Brand new locking din plug to ensure firm connection
- 2.2MP CMOS covert pinhole button camera
- 1080p, 0.1 Lux@ F2.0(50IRE) low light sensitivity
- Self-contained invisible microphone, single cable design
- Adopt light-weighted, ultra-thin design cables
- Provide flexibility to disguise in different application
- Low cost while with high performance solution

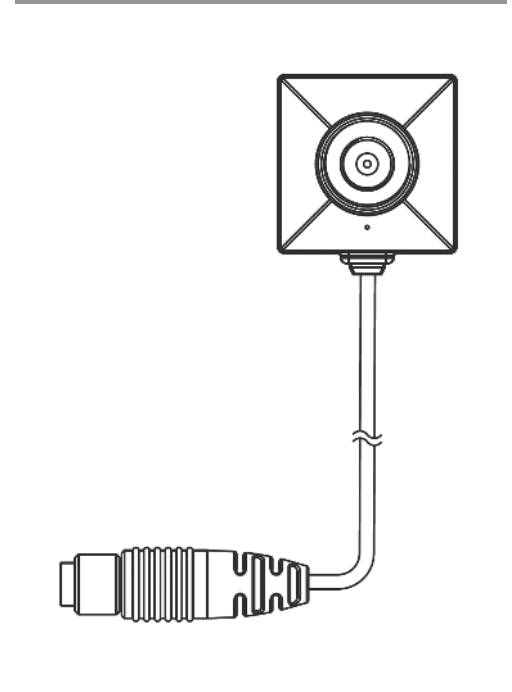
SPECIFICATION

RESOLUTION	
VIDEO RESOLUTION	1080P
PIXEL SIZE	2.8um(H) * 2.8um(V)
DIGITAL PICTURE RESOLUTION	(H)1920x(V)1080
CMOS CAMERA MODULE	
BUILT-IN IMAGE SENSOR	Progressive 1/2.9 inch SONY CMOS
ILLUMINATION SENSITIVITY	0.1 Lux @ F2.0 50IRE
LENS F/NO	F2.0
LENS DIAMETER	4.3 mm
ANGLE OF VIEW	78.2°
DEPTH OF FIELD	50 cm - ∞
ELECTRONIC SHUTTER	1/8 - 1/30,000
VIDEO OUTPUT	
VIDEO OUTPUT	I2C Data
POWER	
POWER SUPPLY VOLTAGE	DC 3.3 V ± 5%
POWER SUPPLY CURRENT	220 mA
PHYSICAL	
OPERATING TEMPERATURE	-10°C - 60°C
OPERATING HUMIDITY	20 - 90%
STORAGE TEMPERATURE	-30°C - 80°C
DIMENSION	25X25X17 mm
WEIGHT	18g

*BU-18 Neo is not compatible with LawMate RF wireless transmitters.
 *BU-18 Neo is only compatible with PV-500 Neo & PV-500 Neo Pro.



PRODUCT SKETCH



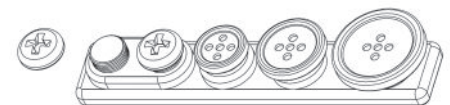
STANDARD ACCESSORIES



3M DOUBLE COATED TAPE



DIY LENS COVER BUTTON



BUTTON SCREW KIT

