

BU-18Neo

Brand New Locking Din Plug Full HD Button Camera 2 Mega Pixel Sensor

Feature

- Brand new locking din plug to ensure firm connection
- 2.2MP CMOS covert pinhole button camera
- 1080p, 0.1 Lux@ F2.0(50IRE) low light sensitivity
- Self-contained invisible microphone, single cable design
- Adopt light-weighted, ultra-thin design cables
- Provide flexibility to disguise in different application
- Low cost while with high performance solution

Specification

Resolution	
Video Resolution	1080P
Pixel Size	2.8um(H) * 2.8um(V)
Digital Picture Resolution	(H)1920x(V)1080
CMOS Camera Module	
Built-in Image Sensor	Progressive 1/2.9 inch SONY CMOS
Illumination Sensitivity	0.1 Lux @ F2.0 50IRE
Lens F/No	F2.0
Lens Diameter	4.3 mm
Angle of View	78.2°
Depth of Field	50 cm ~ ∞
Electronic Shutter	1/8 ~ 1/30,000
Video Output	
Video Output	I2C Data
Power	
Power Supply Voltage	DC 3.3 V ± 5%
Power Supply Current	220 mA
Physical	
Operating Temperature	-10°C ~ 60°C
Operating Humidity	20 ~ 90%
Storage Temperature	-30°C ~ 80°C
Dimension	25X25X17 mm
Weight	18g

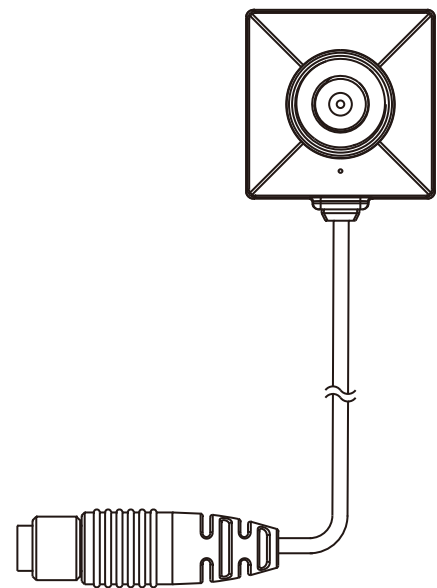
※ BU-18Neo is not compatible with LawMate RF wireless transmitters.

※ BU-18Neo is only compatible with PV-500Neo & PV-500Neo Pro.

*Specifications are subject to change without prior notice.

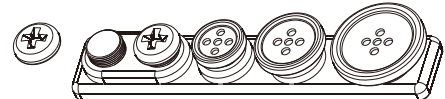


Product Sketch



Standard Accessories

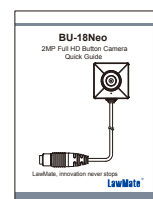
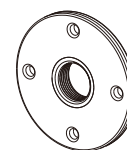
Button Screw Kit



3M Double Coated Tape



DIY Lens cover button



CE/FCC Certified