

BU-18HD

Full HD Button Camera
2 Mega Pixel Sensor
1080p Ready!

Feature

- 2MP CMOS covert pinhole button camera
- 1080p, 0.03 Lux@F2.0(50IRE) low light sensitivity
- Self-contained invisible microphone, single cable design
- Adopts lightweight, ultra-thin design cables
- Provides flexibility to disguise in different application
- Low cost while with high performance solution

Specification

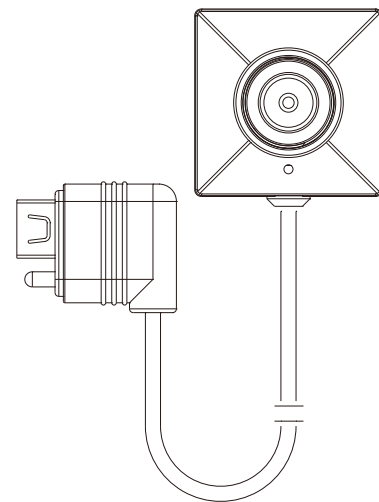
| | |
|----------------------------|--------------------------------|
| Built in Image Sensor | 1/2.9" progressive CMOS Sensor |
| Sensor Resolution | 2000x1121 |
| Pixel Size | 2.8um(H) * 2.8um(V) |
| Digital Picture Resolution | (H)1920x(V)1080 |
| Sensor Sensitivity | 0.03 Lux @ F 2.0 |
| Lens F/No. | F2.0 |
| Focal Length | 4.3mm |
| Angle of view | 78° |
| Depth of View | 50 cm ~ ∞ |
| Electronic Shutter | 1/8 ~ 1/30,000 |
| Video Output | I2C Data |
| Power Supply Current | 220mA |
| Operating Temperature | -10°C ~ 60°C |
| Operating Humidity | 20 ~ 90% |
| Storage Temperature | -30°C ~ 80°C |
| Power Input | DC 3.3V± 5% |
| Dimension | 25x25x17mm |
| Weight | 18g |

- ※ BU-18HD is not compatible with LawMate RF wireless transmitters.
- ※ BU-18HD is only compatible with PV-500HDW & PV-500HDW Pro.

*Specifications are subject to change without prior notice.

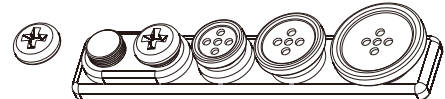


Product Sketch



Standard Accessories

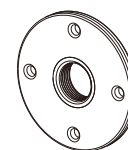
Button Screw Kit



3M Double Coated Tape



DIY Lens cover button



User's manual

CE/FCC Certification In Process