

PV-RC300

With Built-In Camera Series

Multiple Surveillance mini DVR



Feature

Smallest DVR core

The world smallest DVR with memory for 2GB Micro SD Card

Built-In Concealed camera for tapping & photo-shooting

Able to record 640x480 resolution video with smooth 29 frame per second footage & highest photo quality up to 1280x960 pixels resolution

Mini Outlook Design Ideal for Multiple Surveillance Use

Mini outlook design most ideal for multiple kind of Surveillance task with reliable & various application use

Built-In Rechargeable Battery

Using 550 mA/3.7V high capacity built-in mini Li-on type rechargeable battery simply via USB cable

Multiple Status indication LED

Operation status indicated well by LED including Power on, Recording, & Photo shooting activity

Matched Features for Long Duration Use

Able to Record at most for 190 minutes continuously once been recharged

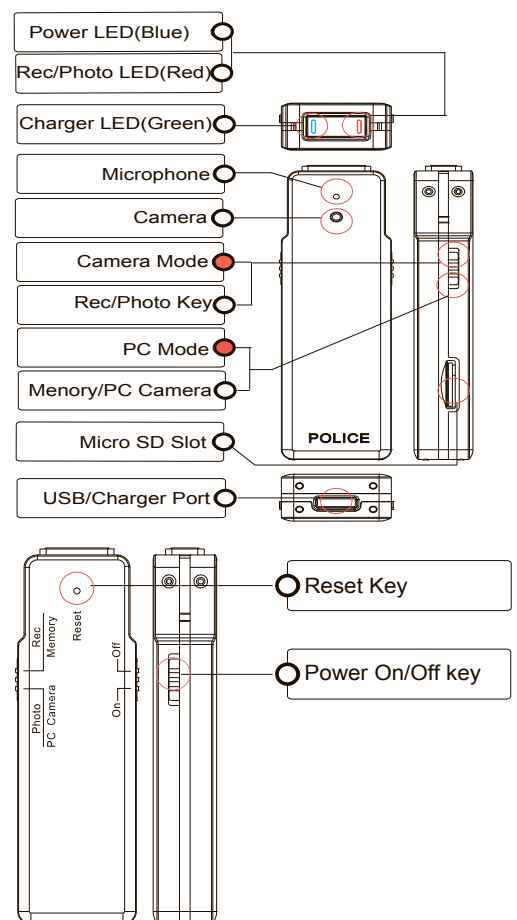
Vibration Alert Confirmation for Surveillance Task

Friendly setting & operation as well as considerable outlook designed along with Vibrate alert confirmation ideal for Surveillance task use

Specification

Item Number	PV-RC300
Built-In Camera	CMOS Camera
Angle of View	61 Degree
Recording Resolution	640x480@29fps
Memory Type	Micro SD Card (4GB)
Max. Picture Elements	1,300,000 pixels
Video File Format	Standard MPEG-4 (AVI)
Audio File Format	WMA
Pictur File Format	JPEG
PC Interface	Mini USB2.0
Consumption Current	Stand By : 120 mA / Recording : 150mA
Date/Time Table	YYYY/MM/DD, HH,MM,SS
Vibration Alert	On/ Off/ Record/ Photo
Power Supply	DC 5V/ 2A
Battery Charging Current	250 mA
Battery Type	DC 3.7V/550 mA Li-on Battery
Battery Lifetime	190 Minutes
Dimension	71x35x16 mm
Weight	34 g

*Specification & Appearance may be subjected to change without notice



Standard Accessories

T-C3-0520



S-USB/PV-500



DC 5V Charger

USB Cable



4GB Micro SD Card